

FPD2-2000-4000-K5-N

2-Way, 2~4GHz

Features:

- * Small Size
- * Low Insertion Loss

Applications:

- * Amplifiers
- * Mixers
- * Antennas
- * Laboratory Test



Electrical

Frequency:	2~4GHz
Insertion Loss ^{*1} :	0.3dB max.
Input VSWR:	1.3 max.
Output VSWR:	1.3 max.
Isolation:	18dB min.
Amplitude Balance:	±0.1dB typ.
Phase Balance:	±0.5° typ.
Impedance:	50Ω
Power @SUM Port:	500W max.as divider 500W max. as combiner

[1] Excluding theoretical loss 3.0dB.

Mechanical

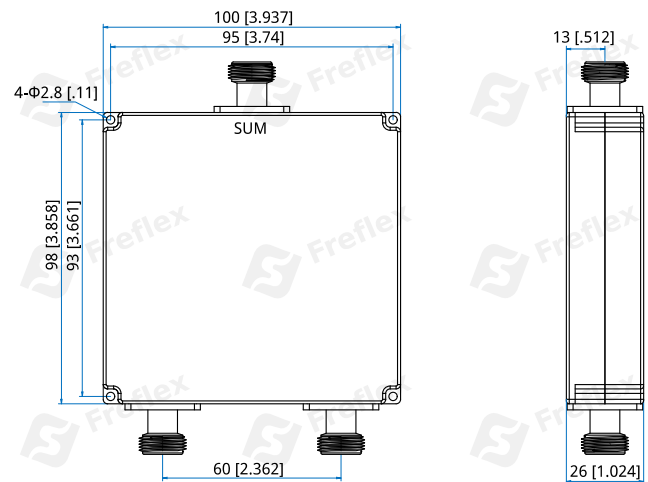
Size ^{*2} :	100*98*26mm 3.937*3.858*1.024in
Connectors:	N Female
Mounting:	4-Φ2.8mm through-hole

[2] Exclude connectors.

Environmental

Operating Temperature:	-45~+85°C
Non-operating Temperature:	-55~+125°C

Outline Drawings



Unit: mm [in]

Tolerance: ±0.5mm [±0.02in]

How To Order

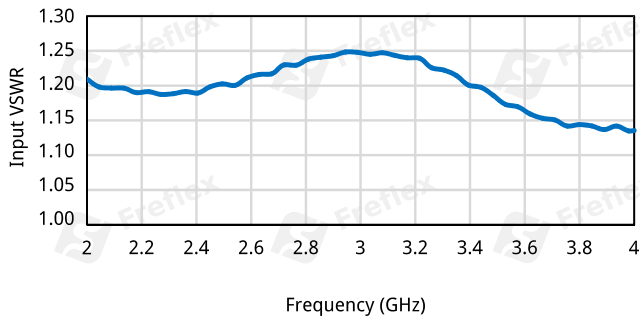
FPD2-2000-4000-K5-N

Customization is available upon request.

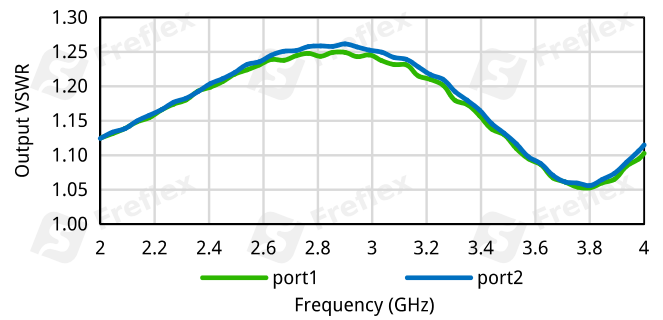
2-Way Power Divider/Combiner

Typical Performance Curves

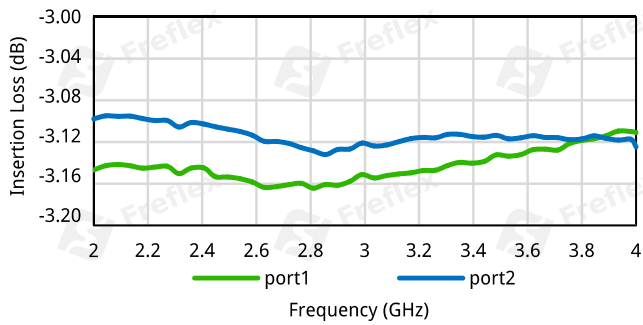
Input VSWR vs. Frequency



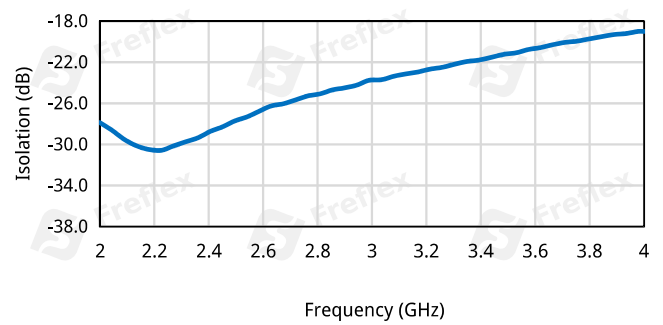
Output VSWR vs. Frequency



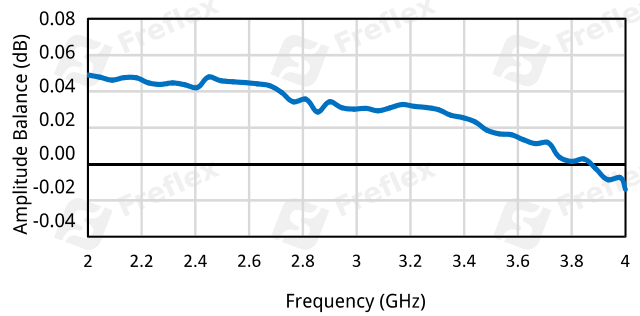
Insertion Loss vs. Frequency



Isolation vs. Frequency



Amplitude Balance vs. Frequency



Phase Balance vs. Frequency

