

FLB-10700-12750-60-80

10.7~11.2/11.2~11.7/11.7~12.25/12.25~12.75GHz, 60dB, 80K, Ku-Band

Features:

- * Broad Band
- * Low Noise Temperature
- * Low Input VSWR

Applications:

- * Fixed Station
- * Mobile Station
- * Laboratory Test

Electrical

Gain:	60dB
Gain Flatness:	3dBp-p max.
Noise Temperature:	80K
Output Power (Psat):	10dBm min.
Input/Output VSWR:	2.5/2.0
Phase Noise:	-60dBc/Hz@100Hz max. -70dBc/Hz@1KHz max. -80dBc/Hz@10KHz max. -90dBc/Hz@100KHz max.
Frequency Stability:	±1ppm max. @Internal Reference
External Reference:	10MHz, 0±3dBm
Voltage:	12~24V DC
Current:	250mA typ. @15V
Impedance:	50Ω

Input RF Frequency (GHz)	Output IF Frequency (MHz)	LO Frequency (GHz)	Control Voltage (LO) (V)
10.7~11.2	950~1450	9.75	13
11.2~11.7	950~1450	10.25	13 @22KHz
11.7~12.25	940~1500	10.75	18
12.25~12.75	950~1450	11.30	18 @22KHz

Mechanical

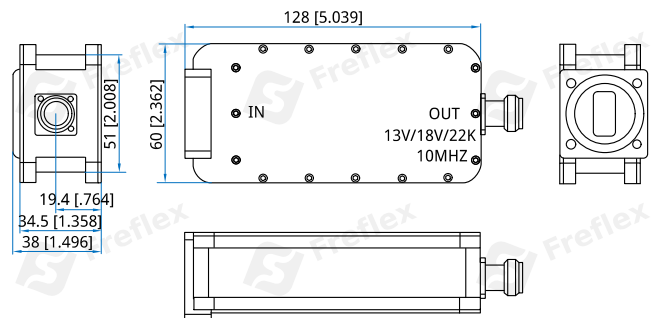
Size*1:	128*60*38mm 5.039*2.362*1.496in
RF Input Waveguide Size:	WR-75 (BJ120)
Flange:	FBM120
Ext.ref. Input(10MHz)/	N Female /SMA Female /75Ω F
IF Output Connectors:	Inch Thread Female
Weight:	380g max.

[1] Exclude connectors.

Environmental

Operating Temperature:	-40~+60°C
Operating Humidity:	0~100%

Outline Drawings



Unit: mm [in]
Tolerance: ±0.5mm [±0.02in]

How To Order

FLB-10700-12750-60-80-Z

Z: Output connector type

Connector naming rules:

- N - N female
- S - SMA female
- F - F Inch Thread female

Examples:

To order a Block Downconverters (LNBS), 10.7~12.75GHz, 60dB, 80K, N female, specify FLB-10700-12750-60-80-N.

Customization is available upon request.