

## FLB-11450-12750-60-70

11.45~11.7GHz &amp; 12.25~12.75GHz, 60dB, 70K, Ku-Band

**Features:**

- \* Broad Band
- \* Low Noise Temperature
- \* Low Input VSWR

**Applications:**

- \* Fixed Station
- \* Mobile Station
- \* Laboratory Test

**Electrical**

Input RF Frequency:	11.45~11.7GHz & 12.25~12.75GHz
Output IF Frequency:	2450~2700MHz & 3250-3750 MHz
LO Frequency:	9GHz
Gain:	60dB
Gain Flatness:	3dBp-p max.
Noise Temperature:	70K
Output Power (Psat):	5dBm min.
Input/Output VSWR:	2.5/2.0
Phase Noise:	-60dBc/Hz@100Hz max. -70dBc/Hz@1KHz max. -80dBc/Hz@10KHz max. -90dBc/Hz@100KHz max.
Frequency Stability:	±1ppm@Internal Reference
External Reference:	10MHz, 0±3dBm
Voltage:	12~24V DC
Current:	250mA typ. @15V
Impedance:	50Ω

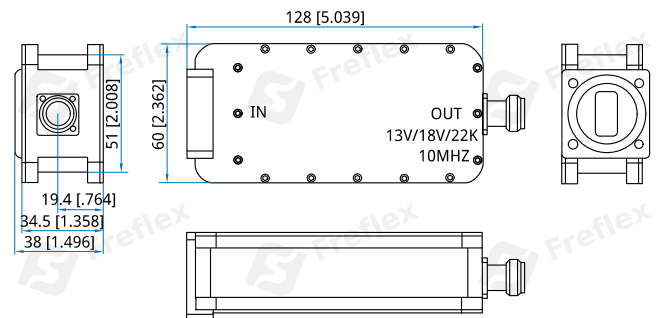
**Mechanical**

Size*1:	128*60*38mm 5.039*2.362*1.496in
RF Input Waveguide Size:	WR-75 (BJ120)
Flange:	FBM120
Ext.ref. Input(10MHz)/	50Ω N Female/50Ω SMA
IF Output Connector:	Female/75Ω F Inch Thread Female
Weight:	380g max.

[1] Exclude connectors.

**Environmental**

Operating Temperature:	-40~+60°C
Operating Humidity:	0~100%

**Outline Drawings**


Unit: mm [in]

Tolerance: ±0.5mm [±0.02in]

**How To Order**
**FLB-11450-12750-60-70-Z**

Z: Output connector type

Connector naming rules:

- N - N female
- S - SMA female
- F - F Inch Thread female

Examples:

To order a Block Downconverters (LNBS), 11.45~12.75GHz, 60dB, 70K, N female, specify FLB-11450-12750-60-70-N.

Customization is available upon request.