

FLB-17200-19200-60-150-1

17.2~18.2GHz, 18.2~19.2GHz, 60dB, 150K, Ka-Band

Features:

- * Broad Band
- * Low Noise Temperature
- * Low Input VSWR

Applications:

- * Fixed Station
- * Mobile Station
- * Laboratory Test

Electrical

Gain:	60dB
Gain Flatness:	4.0dBp-p max.
Noise Temperature:	150K
Output Power (Psat):	10dBm min.
Input/Output VSWR:	2.5/2.0
Phase Noise:	-70dBc/Hz@1KHz max. -80dBc/Hz@10KHz max. -90dBc/Hz@100KHz max.
Frequency Stability:	±1ppm max. @Internal Reference
External Reference:	10MHz, 0±3dBm
Voltage:	12~24V DC
Current:	500mA typ. @15V
Impedance:	50Ω

Input RF Frequency (GHz)	Output IF Frequency (MHz)	LO Frequency (GHz)	Simultaneous Output
17.2~18.2	950 - 1950	16.25	Out1
18.2~19.2		20.15	Out2

Mechanical

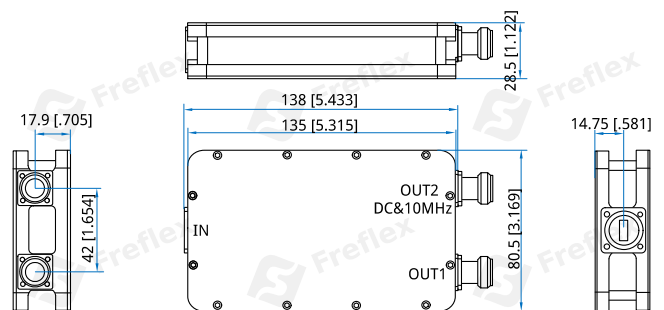
Size*1:	135*80.5*28.5mm 5.315*3.169*1.122in
RF Input Waveguide Size:	WR-42 (BJ220)
Flange:	FBM220
Ext.ref. Input(10MHz)/	N Female /SMA Female /75Ω F
IF Output Connectors:	Inch Thread Female
Weight:	500g max.

[1] Exclude connectors.

Environmental

Operating Temperature:	-40~+60°C
Operating Humidity:	0~100%

Outline Drawings



Unit: mm [in]

Tolerance: ±0.5mm [±0.02in]

How To Order

FLB-17200-19200-60-150-1-Z

Z: Output connector type

Connector naming rules:

- N - N female
- S - SMA female
- F - F Inch Thread female

Examples:

To order a Block Downconverters (LNBS), 17.2~19.2GHz, 60dB, 150K, N female, specify FLB-17200-19200-60-150-1-N.

Customization is available upon request.