

# FCN-FHG-A800-1

## N Female, Bulk Head

Features:  
\* Low VSWR

Applications:  
\* Wireless  
\* Radar  
\* Instruments  
\* Electronics

### Electrical

Frequency:	DC~18GHz
VSWR:	1.35 max.
Impedance of Dielectric:	5000MΩ min.
Voltage Withstand:	1500V
Impedance:	50Ω

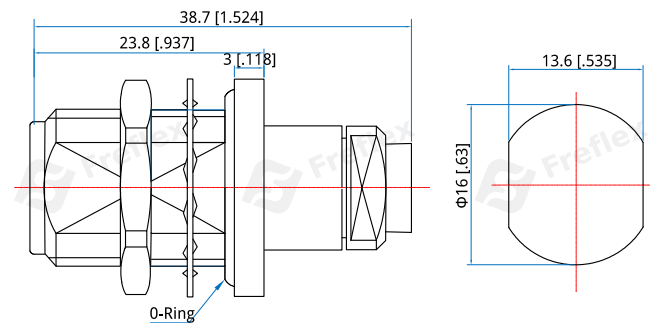
### Mechanical

RF Connector:	N female bulk head
Mating Cable:	FA800
Durability:	500 cycles
Outer Conductor:	Passivated stainless steel
Inner Conductor:	Gold plated beryllium copper
Dielectric:	PEI

### Environmental

Temperature:	-55~+165°C
--------------	------------

### Outline Drawings



Unit: mm [in]

Tolerance: ±0.2mm [±0.008in]

### How To Order

**FCN-FHG-A800-1**

Customization is available upon request.