

FCN-MRG-A800-2

N Male Right Angle

Features:
* Low VSWR

Applications:
* Wireless
* Radar
* Instruments
* Electronics

Electrical

Frequency: DC~18GHz
VSWR: 1.35 max.
Impedance: 50Ω

Mechanical

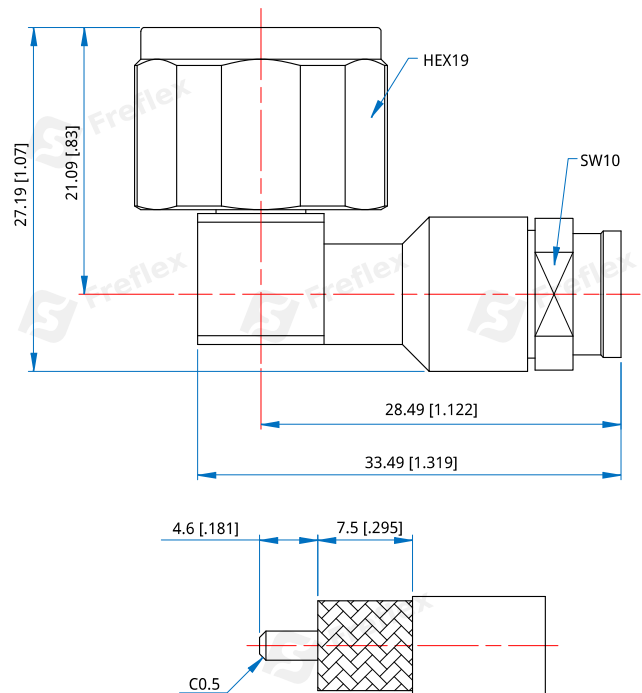
RF Connector: N male right angle
Mating Cable: FA800
Outer Conductor: Passivated stainless steel
Inner Conductor: Gold plated brass, Gold plated beryllium copper

How To Order

FCN-MRG-A800-2

Customization is available upon request.

Outline Drawings



Unit: mm [in]

Tolerance: ±0.2mm [±0.008in]