

# FCS-MG-A550-1

## SMA Male

Features:  
\* Low VSWR

Applications:  
\* Wireless  
\* Radar  
\* Instruments  
\* Electronics

### Electrical

Frequency: DC~18GHz  
VSWR: 1.3 max.

### Mechanical

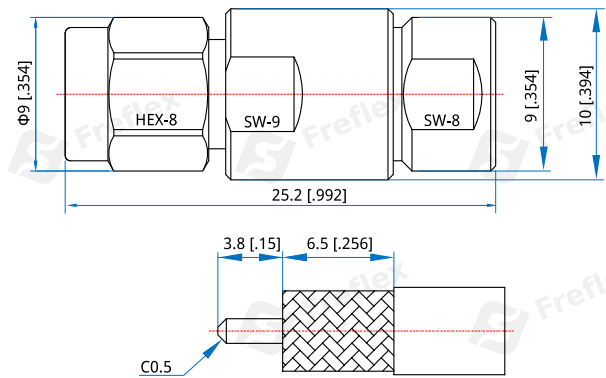
RF Connector: SMA male  
Mating Cable: QA550  
Outer Conductor: Passivated stainless steel  
Inner Conductor: Gold plated brass

### How To Order

#### FCS-MG-A550-1

Customization is available upon request.

### Outline Drawings



Unit: mm [in]  
Tolerance:  $\pm 0.5\text{mm}$  [ $\pm 0.02\text{in}$ ]