

FDPHA-2000-18000-10-S-P

2~18GHz, 10dB, SMA

Features:
* Broadband

Applications:
* Wireless
* Transceiver
* Laboratory Test
* Broadcast

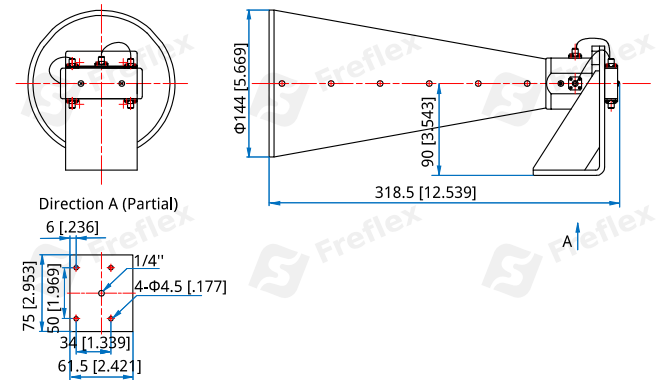
Electrical

Frequency:	2~18GHz
Gain:	10dB
VSWR:	2.5 max.
Axial Ratio:	6dB max.
Isolation:	8dB max.
Beamwidth:	23°~70° @2~6GHz 10°~40° @6~18GHz
Polarization:	Left hand circular polarization Right hand circular polarization

Mechanical

Connectors:	SMA Female
Material:	Aluminum
Finish:	Conductive oxidation

Outline Drawings



Unit: mm [in]
Tolerance: ±0.5mm [±0.02in]

How To Order

FDPHA-2000-18000-10-S-P

Customization is available upon request.