

FMC-24500-26500-10-1

24.5~26.5GHz, 10W

Features:

- * Broadband
- * High Isolation
- * Low Insertion Loss

Applications:

- * Wireless
- * Radar
- * Laboratory Test

Electrical

Frequency:	24.5~26.5GHz
Insertion Loss:	0.5dB max.
Isolation:	18dB min.
VSWR:	1.25 max.
Forward Power:	10W

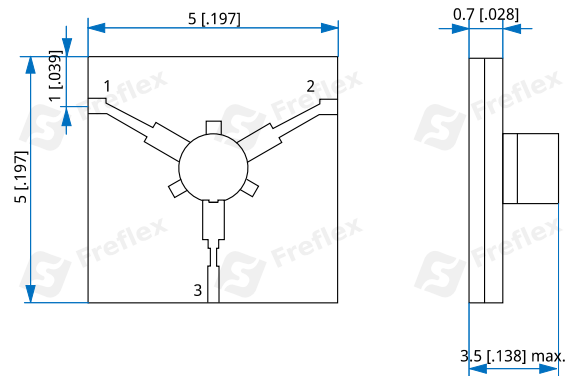
Mechanical

Size:	5*5*0.7mm 1.97*1.97*0.28in
Direction:	Clockwise (1-2-3)

Environmental

Temperature:	-55~+85°C
--------------	-----------

Outline Drawings



Unit: mm [inch]

Tolerance: $\pm 0.2\text{mm}$ [$\pm 0.008\text{in}$]

How To Order

FMC-24500-26500-10-1

Customization is available upon request.