

FPDO-E-100-30.2

External Reference, 100MHz, 30.2GHz

Features:

- * High Frequency Stability
- * Ultra Low Phase Noise

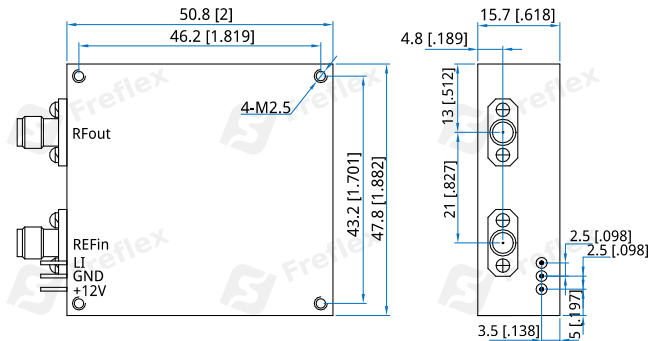
Applications:

- * Wireless
- * Transceiver
- * Laboratory Test
- * Radar

Electrical

Output Frequency:	30.2GHz
Output Power:	+15dBm min.
Input Power:	-5 - +10dBm
Spurious:	-70dBc min.
Harmonic:	-15dBc min. (@15.1GHz) -25dBc min. (@45.3GHz, Design assurance)
External Reference:	100MHz -155dBc/Hz@1KHz -165dBc/Hz@10KHz -168dBc/Hz@100KHz
Phase Noise:	-102dBc/Hz@1KHz -110dBc/Hz@10KHz -110dBc/Hz@100KHz -132dBc/Hz@1MHz
Voltage:	+12V DC
Current:	300mA max.
Lock Indicator (LI):	TTL logic High: locked Low: unlocked

Outline Drawings



Unit: mm [in]

Tolerance: $\pm 0.2\text{mm}$ [$\pm 0.008\text{in}$]

How To Order

FPDO-E-100-30.2

Customization is available upon request.

Mechanical

Size ^{*1} :	50.8*47.8*15.7mm 2*1.882*0.618in
RFin Connectors ^{*2} :	SMA Female
RFout Connectors:	2.92 Female
Power Supply Interface ^{*3} :	Feed Through/Terminal Post
Mounting:	4-M2.5mm through-hole

[1] Exclude connectors.

[2] Removable, PIN: $\Phi 0.38^\circ$.

[3] PIN: $\Phi 0.7^\circ$.

Environmental

Operating Temperature:	-40~+70°C
Non-operating Temperature:	-55~+85°C