

FPDO-I-100-3.25

Internal Reference, 100MHz, 3.25GHz

Features:

- * High Frequency Stability
- * Ultra Low Phase Noise

Applications:

- * Wireless
- * Transceiver
- * Laboratory Test
- * Radar

Electrical

Output Frequency:	3.25GHz
Output Power :	7±1dBm min.
Frequency Stability:	±1ppm max.
Internal Reference:	100MHz
	0dBm min.
	-145dBc/Hz@1KHz
	-160dBc/Hz@10KHz
Phase Noise:	-120dBc/Hz@10KHz
Harmonic:	-20dBc max.
Spurious:	-80dBc max.
Voltage:	+12V DC
Current:	560mA max.
Lock Indicator (LI):	TTL logic
	High: locked
	Low: unlocked

Mechanical

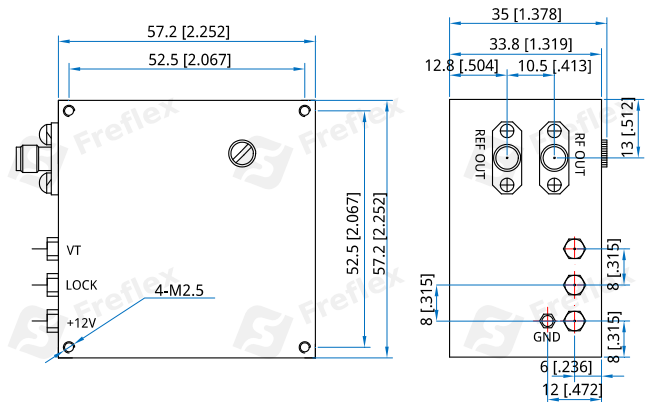
Size*1:	57.2*57.2*35mm
	2.252*2.252*1.378in
Output Connectors:	SMA female
Power Supply Interface:	Feed Through/Terminal Post
Mounting:	4-M2.5 through-hole

[1] Exclude connectors.

Environmental

Operating Temperature:	-40~+85°C
Non-operating Temperature:	-55~+85°C

Outline Drawings



Unit: mm [in]

Tolerance: ±0.2mm [±0.008in]

How To Order

FPDO-I-100-3.25

Customization is available upon request.