

FSMB-10-8000

0.01~8GHz

Features:

- * Broad Band
- * Low Noise

Applications:

- * Wireless
- * Receiver
- * Laboratory Test
- * Radar

Electrical

| | |
|--------------------|---|
| Frequency: | 0.01~8GHz |
| Insertion Loss: | 2.5dB max. @0.01~6GHz 3dB max. @6~8GHz |
| Amplitude Balance: | 0.5dB typ. @0.01~6GHz 1dB typ. @6~8GHz |
| Phase Balance: | 8° typ. @0.01~6GHz 4° typ. @6~8GHz |
| Ratio: | 1 typ. |
| Power: | 2W max. |
| Current: | 0.5A DC max. |
| Impedance: | 50Ω |

Mechanical

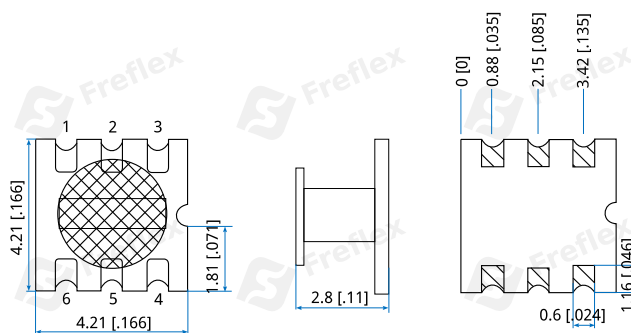
Size: 4.21*4.21*2.8mm
0.166*0.166*0.11in

Port Configuration

| Port | Function | Port | Function |
|------|---------------|------|-----------|
| 3 | Primary dot | 4 | Secondary |
| 2 | Primary | 1, 6 | NA |
| 5 | Secondary dot | | |

Environmental

Operating Temperature: -40~+85°C
Non-operating Temperature: -55~+100°C

Outline Drawings


Unit: mm [in]

Tolerance: ±0.3mm [±0.012in]

How To Order
FSMB-10-8000

Customization is available upon request.