

FWFA15-50

WR-15, 50W

Features:

- * Low VSWR
- * High Attenuation Flatness

Applications:

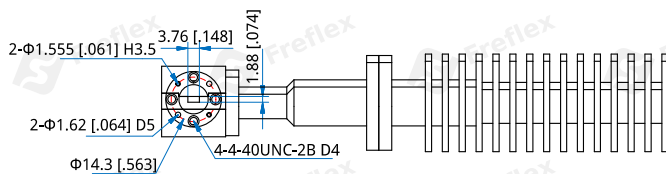
- * Wireless
- * Transmitter
- * Laboratory Test
- * Radar

Electrical

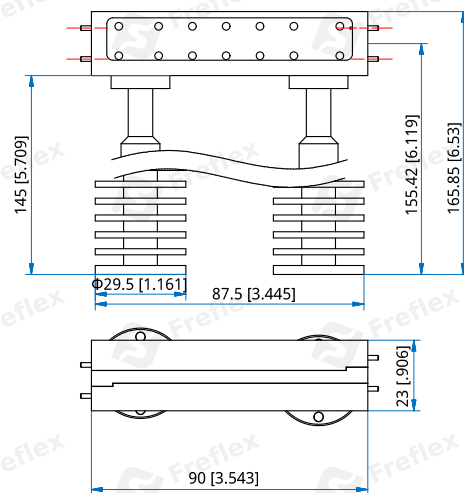
Frequency:	50~67GHz
VSWR:	1.2 max.
Attenuation:	10±1dB
Average Power:	50W min.

Mechanical

Connectors:	WR-15 (BJ620)
Flange:	UG-385/U
Material:	Copper

Outline Drawings


Outline A



Unit: mm [in]

Tolerance: ±0.5mm [±0.02in]

How To Order
FWFA15-50-X-Y-Z

X: Attenuation in dB (10 - Outline A)

Y: Material

Z: Flange type

Material naming rules:

C - Copper (Outline A)

Flange naming rules:

6 - UG-385/U (Outline A)

Examples:

To order a Waveguide Fixed Attenuator, 50~67GHz, 10dB, Copper, UG-385/U, specify FWFA15-50-10-C-6.

Customization is available upon request.