

FWI-18000-26500-25

Broadband & High Isolation

Features:

- * Broadband
- * High Isolation
- * Low Insertion Loss

Applications:

- * Wireless
- * Radar
- * Laboratory Test

Electrical

Frequency:	18~26.5GHz
Insertion Loss:	0.3dB max.
Isolation:	20dB min.
VSWR:	1.25 max.
Power:	25W

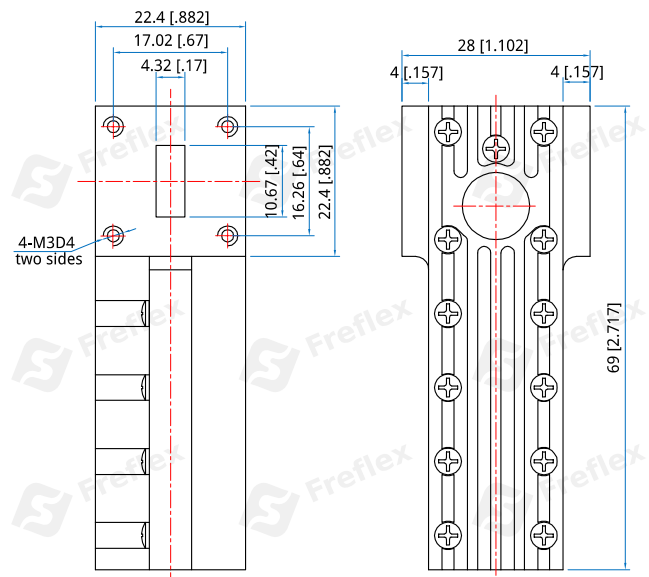
Mechanical

Size:	69*28*22.4mm 2.717*1.102*0.882in
Interface:	WR-42 (BJ220)
Flange:	FBP220
Mounting:	4-M3 Depth 4mm
Material:	Aluminium
Finish:	Conductive oxidation
Coating:	Black paint

How To Order

FWI-18000-26500-25

Customization is available upon request.

Outline Drawings


Unit: mm [inch]

Tolerance: $\pm 0.2\text{mm}$ [$\pm 0.008\text{in}$]